

UON®/DUON® HEAD BASE PLATE



Article No. : **32097**

A. GENERAL PRODUCT INFORMATION

The product referred to in these instructions is a medical device used for patient positioning and immobilisation in radiation therapy.

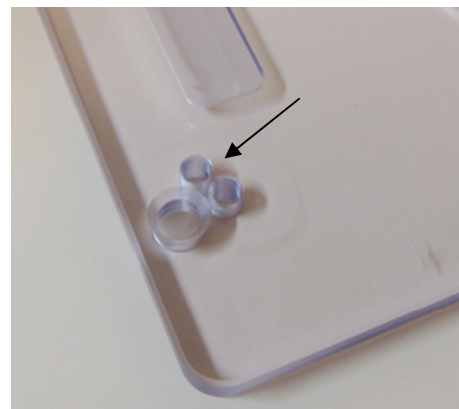
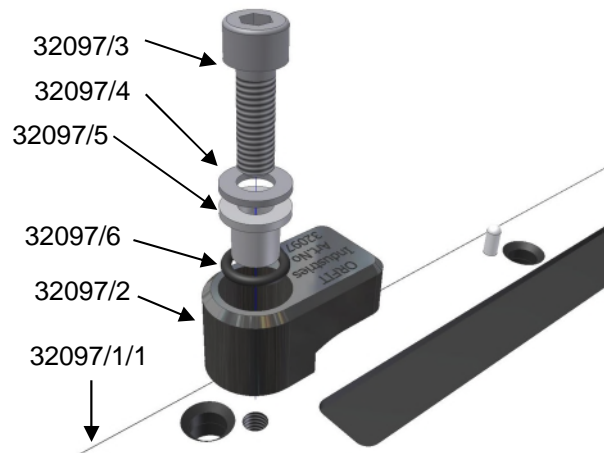
B. PRODUCT DESCRIPTION

This product is a UON®/DUON® HEAD BASE PLATE in transparent polycarbonate material. It is used in combination with HIGH PRECISION HEAD SUPPORTS and BLOCKS & WEDGES, and with the UON and DUON THERMOPLASTIC PRE-CUTS to form a reproducible patient positioning and immobilisation device. Information on these other parts and instructions on how to make the masks can be found in the respective 'instructions for use' and on www.orfit.com.

C. PARTS LIST

ART. NO.	DESCRIPTION
32097	SET, consisting of:
32097/1/1	1 x Head Base Plate in Acrylic (PC) including 2 white pins
32097/2	4 x Swivel in POM
32097/3	4 x M8 x 25 Hexagon Socket Head Cap Screw in PA6.6
32097/4	4 x Washer M8 DIN125-1A in PA6.6
32097/5	4 x Bearing Bush M8 in PA6.6
32097/6	4 x O-ring 11 x 2,5
32097/7	1 x Allen Wrench 6mm

Mount the swivel clamps in the threaded hole on the caudal side of the base plate as illustrated in the picture below.



D. PRECAUTIONS FOR USE

When used extensively, the polycarbonate base plate may get damaged which can result in sharp edges. When this happens, stop using the base plate to prevent injuries. Contact your distributor.

A patient set-up form is available on the Orfit website:
<https://www.orfit.com/app/uploads/Head-and-Neck.pdf>

E. HOW TO USE

Base plate-to-couch top fixation solutions:

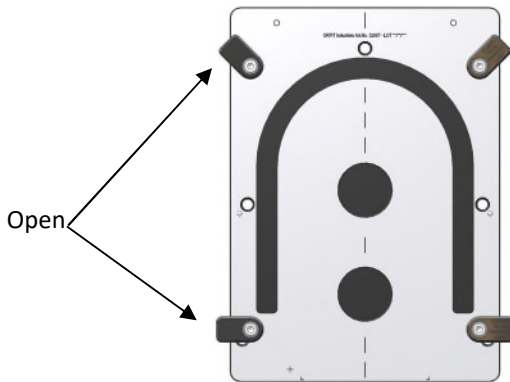
Always place the base plate on a flat surface.
Always fix the base plate securely to the treatment couch before positioning a patient. More information on how to fix this base plate to a couch top can be found on our website <http://www.orfit.com/en/fixation-devices/>.

Fixing UON and DUON Masks:

Mount the head base plate by using one of the above base plate-to-couch top fixation solutions that fit your type of treatment couch.

UON:

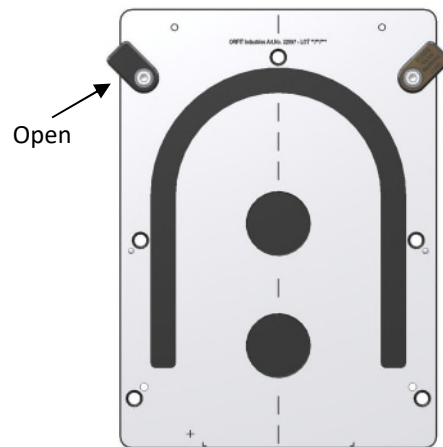
Open all swivel locks so that a mask can be formed over the patient's head and down to the base plate.



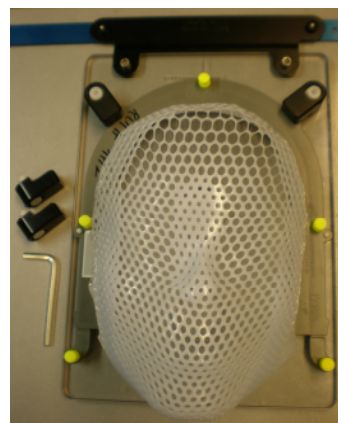
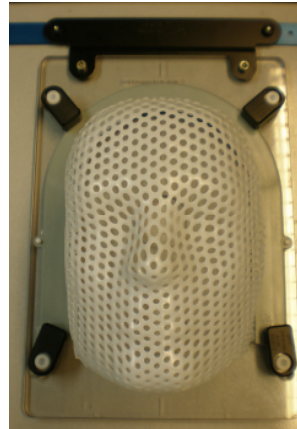
Form the mask. Make sure the UON frame is positioned over the indexing pins on the base plate. Then close the swivel locks by turning them over the frame. See picture below.

DUON:

Remove the bottom two swivel locks and open the top two swivel locks before applying the mask.



Form the mask. Lock the mask down using the DUON push pins. Then close the swivel locks by turning them over the frame. See picture below.



F. STORAGE

Always store the product in a safe place to prevent it from getting damaged or falling onto other objects. Prevent hard objects from falling onto the plate and keep clear of sharp objects.

Store the base plate between +10°C (50°F) and 40°C (122°F).

G. PROPERTIES

E.1. Physical Properties

Dimensions: L 360 mm x W 260 mm x H 12 mm (34,6 mm)

Weight (32097/1): 1,36 kg

Density: 1,2 g/cm³

E.2. Dosimetric Properties

The general attenuation factor ($\pm 0.15\%$) for the base plate is as follows:

6 MV	4.2 %
15 MV	3.4 %
Skin build-up	14.6 mm H ₂ O equiv.

Note: Use these numbers as a guidance only. Perform the measurements again in your department to verify these results.

H. MAINTENANCE AND WASTE MANAGEMENT

This product can be cleaned and disinfected by means of soapy water or an isopropanol based disinfectant, applied with a soft cloth. If unsure about the cleaning fluid, do not use. **Never use aerosol sprays, corrosive cleaning agents, solvents or abrasive detergents.**

Periodic checks of the product should be done to insure the parts are not worn and require repair or replacement. **Do not attempt to make repairs yourself.** Contact your distributor if there are any questions or concerns.

The product can be disposed of with industrial waste. It may not be disposed of with household waste.

I. ADDITIONAL INFORMATION

For additional information such as distributor contact information, product brochures, Safety Data Sheets and regulatory information, please visit our website www.orfit.com.

Note:

It is prohibited to make alterations to this text without prior approval from Orfit Industries. UON/ DUON[®] is a registered trademarks of Orfit Industries.



ORFIT INDUSTRIES
Vosveld 9A | B-2110 Wijnegem | Belgium
T (+32) (0)3 326 20 26
welcome@orfit.com

www.orfit.com



Ref. No. 31947
VERSION 5
LAST UPDATE: 21/03/2023
REVISION DATE: 21/03/2025