

AIO 3.0 LOXON™ SET FOR OVERHANG OF 53 CM BASE PLATES FOR EXACT® COUCH (MR safe) (2 sets of 2)

Article No. : 38243

A. GENERAL PRODUCT INFORMATION

The products referred to in these instructions are devices used to fix the AIO Solution 3.0 53 cm wide base plates onto Varian Exact® couches. These products allow positioning of the AIO 3.0 53cm wide base plates in maximum overhang position on the Varian Exact® couch.

B. PRODUCT DESCRIPTION

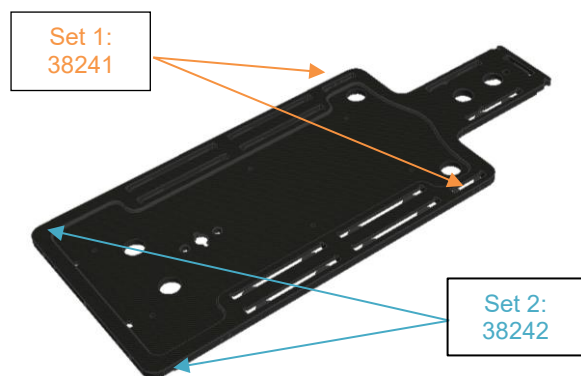
This fixation device features two sets of positioning blocks that can be attached on both sides of the AIO 3.0 53 cm wide base plates. This fixation device is specifically designed to allow the maximum overhang position of the AIO 3.0 53 cm wide base plates on the Varian Exact® couch to be reached. Due to the shape of the Varian Exact® IGRT couch, the maximum overhang position of the AIO 3.0 base plates can't be reached using the standard Loxons™ (Art. No. 38212).

This product consists of 2 sets of 2 loxons.

Set 1 (Art. No. 38241) is the cranial set.

Set 2 (Art. No. 38242) is the caudal set.

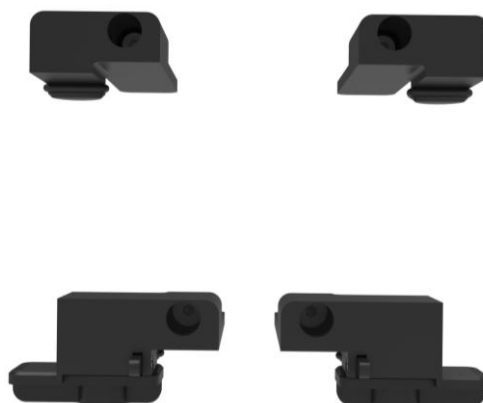
Both sets have a left and right side Loxon™ block, which is indicated by 'L' and 'R' on the side of the Loxon™ block.



Loxons™ 38241 and 38242 shift the position of the base plate 22mm cranially on the couch.

When using the Leg Indexing Frame Long (Art. No. 38210) or Short (Art. No. 38204), it's recommended to use 2-pin bar 32070/17 to position the Leg Indexing Frame adjoining the base plate.

Information on these other parts can be found in the respective 'instructions for use' and on www.orfit.com.



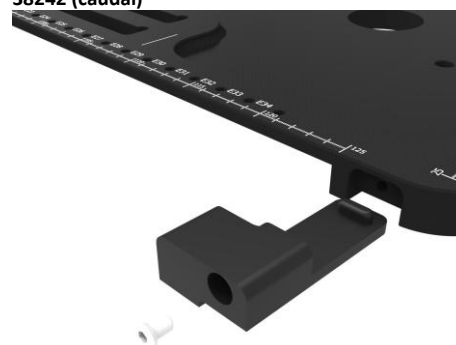
C. FIXATION TO THE BASE PLATE

38241 (cranial)



Top view

38242 (caudal)



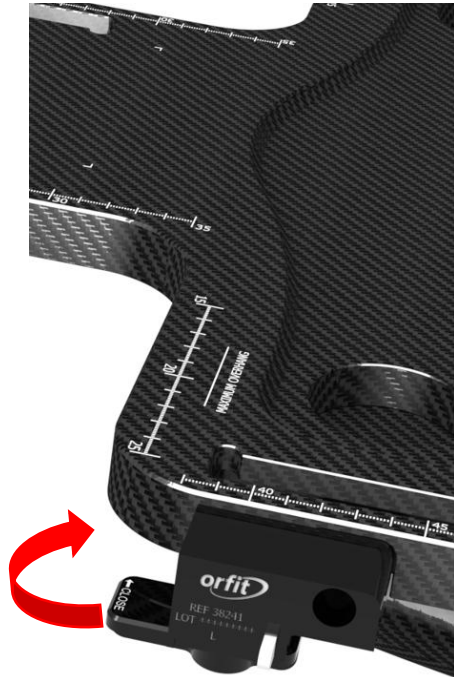
Top view

Mount the left side Loxon™ blocks to the left side of the base and the right side Loxon™ blocks to the right side of the base plate using the plastic countersunk M6 screws. The left side Loxon™ blocks are marked with the letter 'L'. The right side Loxon™ blocks are marked with the letter 'R'.

D. INDEXING AND REMOVING

Maximum overhang position on the Exact® couch

1. Position the caudal Loxon™ (Art. No. 38242) over the Exact™ half-moon recesses in the couch top so that the 'Maximum overhang' line aligns with the cranial end of the couch top.
Push down until the base plate is lying flush on the couch top.
2. Turn the swivelling parts of the cranial Loxons (Art. No. 38241) in the 'CLOSE' position. Turn the left swivelling part clockwise and the right swivelling part anti-clockwise

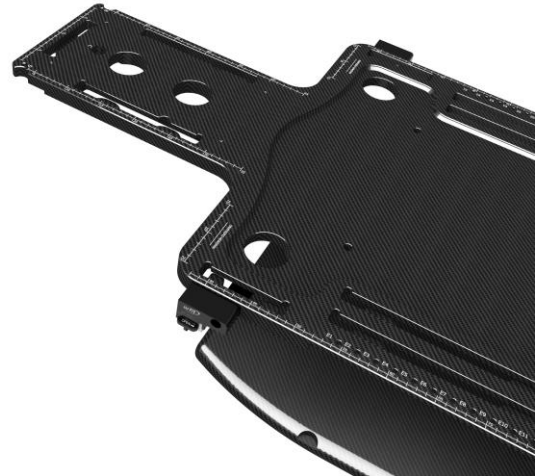


3. Secure the swivelling part by turning the white safety pin downwards.



The swivelling part will fix the base plate against the edge of the couch, but not in the Exact™ half-moon recesses in the couch

top.



4. To remove the base plate of the couch top, first turn the white safety pin upwards and turn the swivelling parts of the cranial Loxons (Art. No. 38241) in the 'OPEN' position. Turn the left swivelling part anti-clockwise and the right swivelling part clockwise.
5. Lift the base plate in order to remove of the couch top.

Other positions on the Exact® couch

1. Turn the white safety pin upwards.
Rotate the swivelling part back to the 'OPEN' position
2. Position the base plate with the Loxon™ over the Exact™ half-moon recesses in the couch top and push down until the base plate is lying flush on the couch top.
3. Lift the base plate in order to remove of the couch top.

E. PRECAUTIONS FOR USE

When using the base plate in overhang, always make sure that there is weight on the caudal part of the base plate to avoid tilting. When moving the patient, always move from caudal to cranial. **DO NOT EXCEED OVERHANG LINE WHEN USING THE BASE PLATE IN OVERHANG!**

Always make sure that the base plate is flush on the couch before positioning a patient.

Make sure the screws are tightened so there is no play of the base plate during setup and treatment.

Do not mount the Loxon™ when positioned in the cut-outs of the Exact® couch top.

Replace the O-rings when cracks appear.

The plastic screws can be damaged if excessive force is used during assembly with a screwdriver.

F. PROPERTIES

F.1 Physical Properties

38241

Dimensions: L 83 mm x W 29 mm x H 56.5 mm
Weight: 140 g

38242

Dimensions: L 58 mm x W 26.5 mm x H 45.5 mm
Weight: 40 g

F.2 Mechanical Properties

The Loxons™ are made of POM, PEEK and PVDF. This provides the necessary stability to get accurate patient positioning even under frequent use.

This product is made entirely of electrically non-conductive, non-metallic and non-magnetic materials and is MRI safe.



Warning: keep metal wrenches out of the MRI room.

F.3 Dosimetric Properties

Because of the high density of POM, do not use in the path of the beam.

G. STORAGE

Always store the product in a safe place to prevent it from getting damaged.

Store the product between +10°C (50°F) and 40 °C (122°F).

H. MAINTENANCE AND WASTE MANAGEMENT

This product can be cleaned and disinfected by means of an isopropanol based disinfectant, applied with a soft cloth. If unsure about the cleaning fluid, do not use. **Never use aerosol sprays, corrosive cleaning agents, solvents or abrasive detergents.** Further cleaning instructions can be found in the [Orfit Cleaning Guidelines](#).

Periodic checks of the product should be done to insure the parts are not worn and require repair or replacement. **Do not attempt to make repairs yourself.** Contact your distributor if there are any questions or concerns.

The product can be disposed of with household waste.

I. ADDITIONAL INFORMATION

For additional information such as distributor contact information, product brochures, Safety Data Sheets and regulatory information, please visit our website www.orfit.com.

Note:

THE AIO SOLUTION® is a registered trademark of ORFIT INDUSTRIES N.V. LOXON™ is a trademark of ORFIT INDUSTRIES N.V.



ORFIT INDUSTRIES
Vosveld 9A | B-2110 Wijnegem | Belgium
T (+32) (0)3 326 20 26
welcome@orfit.com

www.orfit.com



Ref. No. 50298
VERSION 2
LAST UPDATE: 04/03/2026
REVISION DATE: 04/03/2028