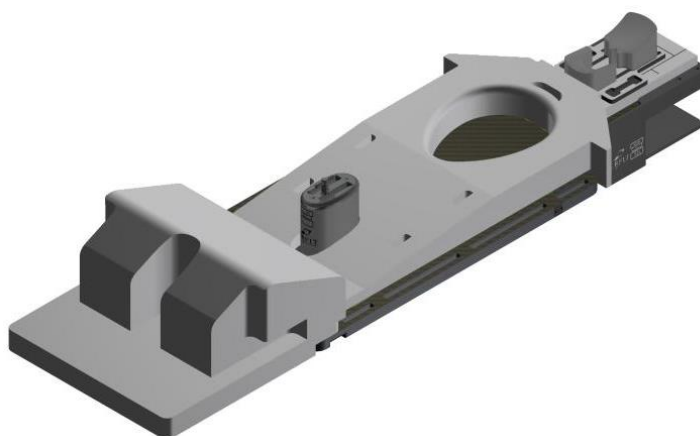


THE AIO SOLUTION® BELLYBOARD & PELVIC SOLUTION LEG SEPARATOR



AIO SOLUTION® code: **AC-LS**

Article No. : **32037**

A. GENERAL PRODUCT INFORMATION

The product referred to in these instructions is a medical device used for patient positioning and immobilisation in radiation therapy.

This product may only be used in combination with immobilisation masks produced by Orfit. Orfit prohibits the use of unauthorised third-party products in conjunction with its own products.

B. PRODUCT DESCRIPTION

This LEG SEPARATOR is a part of the "AIO SOLUTION BELLYBOARD PACKAGE". It is used in combination with THE AIO 2.0 and 3.0 SOLUTION BASE PLATES, the AIO 2.0 and 3.0 BELLYBOARD CUSHIONS and the EFFICAST PRE-CUTS to form a reproducible patient positioning and immobilisation system. It can also be used on the base plates of the PELVICAST™ product range. Information on these other parts and instructions on how to make the masks can be found in the respective 'instructions for use' and on www.orfit.com.

Note: This device can be used securely on a 1st generation AIO base plate but it cannot be locked.

C. PRECAUTIONS FOR USE

Always use this LEG SEPARATOR on an AIO SOLUTION base plate or on a PELVICAST™ base plate and where applicable in combination with the other AIO SOLUTION BELLYBOARD components.

This device is placed between the patient's legs in the holes in the base plate. It is locked into the base plate by means of the locking mechanism on top of the device.

There are two possibilities for the placement: a cranial and a caudal one. The position can be changed by turning the device 180°. Always verify that the LEG SEPARATOR is positioned correctly on the base plate.

There are two slots on top of the device that are used when making EFFICAST 6-point pelvic masks.

D. STORAGE

Always store the product in a safe place to prevent it from getting damaged. Store the product in such a way that it cannot fall or bump against anything. Never place the device under load or pressure.

Store the device between + 10°C (50°F) and 40°C (122°F).

E. PROPERTIES

E.1. Basic Physical Properties

The following physical properties apply to the LEG SEPARATOR:

Dimensions: L 225 mm x W 91 mm x H 163 mm
Weight: 3,34 kg

E.2. Mechanical Properties

The LEG SEPARATOR is made of POM, covered with "a high grade" coated PE foam. This combination makes sure that it will keep its dimensions overtime and under conditions of frequent use.



This product is made entirely of electrically non-conductive, non-metallic and non-magnetic materials and is MR safe.

F. MAINTENANCE AND WASTE MANAGEMENT

This product can be cleaned and disinfected by means of an ethanol based disinfectant, applied with a soft cloth. If unsure about the cleaning fluid, do not use. **Never use aerosol sprays, corrosive cleaning agents, solvents or abrasive detergents.** Further cleaning instructions can be found in the [Orfit Cleaning Guidelines](#).

Periodic checks of the product should be done to insure the parts are not worn and require repair or replacement. **Do not**

attempt to make repairs yourself. Contact your distributor if there are any questions or concerns. The product can be disposed of with household waste.

G. ADDITIONAL INFORMATION

For additional information such as distributor contact information, product brochures, Safety Data Sheets and regulatory information, please visit our website www.orfit.com.

Note:

It is prohibited to make alterations to this text without prior approval from Orfit Industries.
THE AIO SOLUTION® and EFFICAST® are registered trademarks of ORFIT INDUSTRIES N.V.



ORFIT INDUSTRIES
Vosveld 9A | B-2110 Wijnegem | Belgium
T (+32) (0)3 326 20 26
welcome@orfit.com

www.orfit.com



Ref. No. 31911
VERSION 8
LAST UPDATE: 08/07/2021
REVISION DATE: 08/07/2023